



HEAT & GLO
No one builds a better fire



LUX60
Direct Vent Gas Fireplace



LUX60 Direct Vent Fireplace

The LUX60 combines modern design, spectacular flames, stainless steel fire tubes and innovative LED accent lighting technology. This feature combination provides a unique modern fireplace for your home or commercial application.

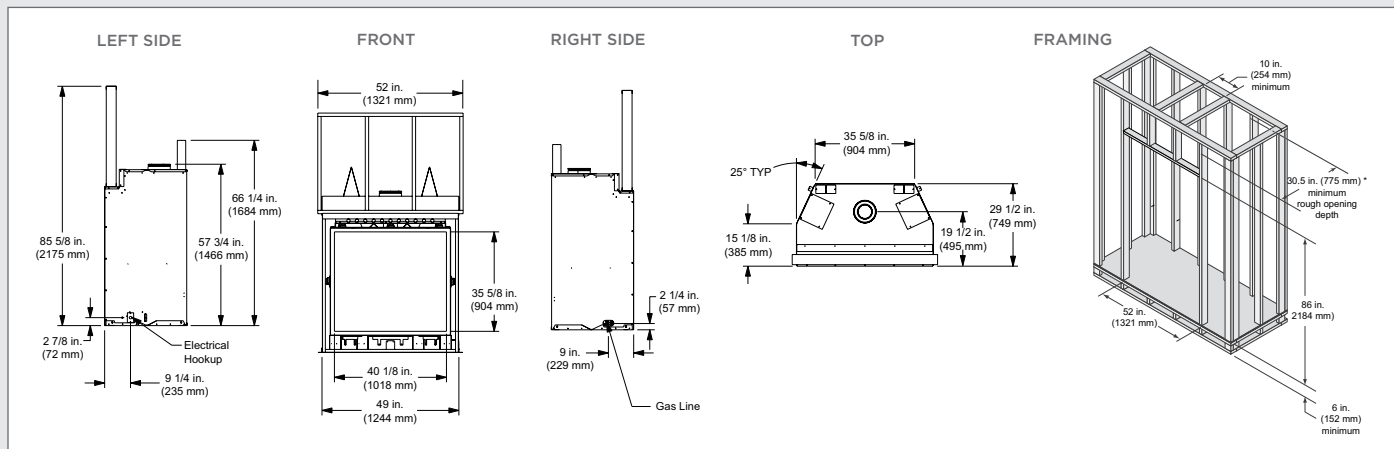
Right: LUX60 shown with LUX60 panels in Black*.

Cover: LUX60 shown with LUX60 panels in Plated Black Nickel with Black glass media*.



LUX60 Specifications

MODEL	FRONT WIDTH		BACK WIDTH		HEIGHT		DEPTH		VIEWING AREA	BTU/HOUR INPUT
	Actual	Framing	Actual	Framing	Actual	Framing	Actual	Framing		
LUX60	49	52	35-5/8	52	66-1/4	86	29-1/2	30-1/2	40-1/8 x 35-5/8	60,000 (NG)



Dimensions above are in inches. Reference dimensions only. We recommend measuring individual units at installation. Assumes the use of 1/2" Sheetrock. NOTE: Combustible material should not be installed over the face. Make sure you do NOT cover the decorative door opening.

Refer to installation manual for detailed specifications on installing this product. Heat & Glo reserves the right to update units periodically. The flame and ember appearance may vary based on the type of fuel burned and the venting configuration used. Pictures in this brochure are not a true representation of the fireplace and/or flames.

Features

- 60,000 Btu/hr (NG)
- IntelliFire™ ignition system
- Wireless control
- Modulating LED accent lighting
- Stainless steel log set
- Black glass media

Firebox

Stainless steel modern fire tubes and modulating lights; Set one color or auto-cycle through all 6.



LUX60 firebox

Media

Black glass media provides a coal bed around the stainless steel modern fire tubes.



Black Glass Media (Included)

Front Panel Options

Panels come in two finishing options: Powder Coat Black and Plated Black Nickel



Plated Black Nickel Black

*Clean finishing technique used. Refer to installation manual for instructions.

For complete information on this model, please contact us at:

HEAT & GLO

No one builds a better fire

A brand of Hearth & Home Technologies Inc.®

7571 215th Street West, Lakeville, MN 55044
 Web: heatnglo.com
 Phone: (888) 427-3973 (952) 985-6000
 E-mail: info@heatnglo.com

**For full warranty details, go to www.heatnglo.com.

Limited Lifetime Warranty**

The strongest in the industry, Heat & Glo provides a limited lifetime warranty on the most important aspects: firebox and heat exchanger.



HNG-1101U-1009